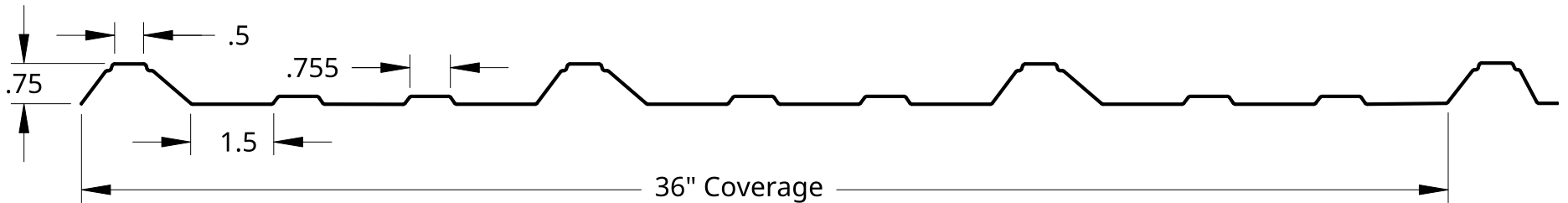
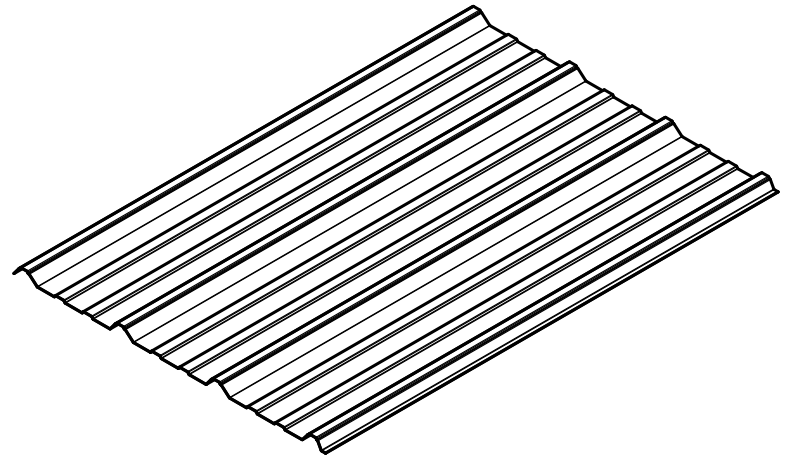


# Tough Rib Profile



UNLESS OTHERWISE SPECIFIED, DIMENSIONS ARE IN INCHES .XX = ±.0- .XXX = ±.00- .XXXX = ±.000- SURFACE FINISH		NAME	DATE			
	DRAWN	HENRY FEHR	08/26/2021			TITLE <h2 style="text-align: center;">Tough Rib Profile</h2>
	CHECKED					
	APPROVED					
DO NOT SCALE DRAWING				SIZE	DWG NO.	REV.
BREAK ALL SHARP EDGES AND REMOVE BURRS				A		
THIRD ANGLE PROJECTION	MATERIAL	FINISH		SCALE	WEIGHT	SHEET
				1:3		1 of 1